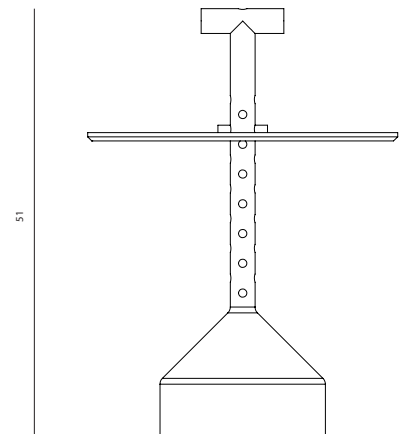
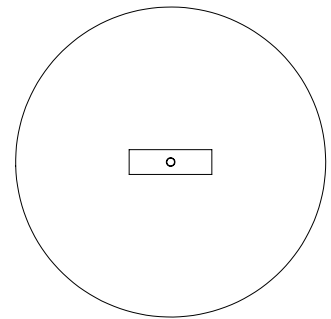




SPADE SIDE TABLE

Sycamore, Brass, Glass
51(l) x 37(w) cm
3.8 kg

Hand-turned from a mono block of English sycamore, the base of the Spade Side Table has a simple cylindrical brass peg system that allows the glass tabletop to float.



Ø37